

IMPORTANT INSTRUCTIONS - OPERATING MANUAL

Models: AK965L, AK965FL



Exhaust Fan

READ AND SAVE THESE INSTRUCTIONS

READ CAREFULLY BEFORE ATTEMPTING TO ASSEMBLE, INSTALL, OPERATE OR MAINTAIN THE PRODUCT DESCRIBED. PROTECT YOURSELF AND OTHERS BY OBSERVING ALL SAFETY INFORMATION. FAILURE TO COMPLY WITH INSTRUCTIONS COULD RESULT IN PERSONAL INJURY AND/OR PROPERTY DAMAGE!

RETAIN INSTRUCTIONS FOR FUTURE REFERENCE.

GENERAL SAFETY INFORMATION

When using electrical appliances, basic precautions should always be followed to reduce the risk of fire, electric shock and injury to person, including the following:

1. Read all instructions before installing or using exhaust fan.
2. Use this unit only in the manner intended by the manufacturer. If you have questions, contact the manufacturer.
3. Before servicing or cleaning the unit, switch power off at service panel and lock the service disconnecting means to prevent power from being switched on accidentally. When the service disconnecting means cannot be locked, securely fasten a prominent warning device, such as a tag, to the service panel.
4. Installation work and electrical wiring must be done by qualified person(s) in accordance with all applicable codes and standards, including fire-related construction.
5. Sufficient air is needed for proper combustion and exhausting of gases through the flue (chimney) of fuel burning equipment to prevent back drafting. Follow the heating equipment manufacturer's guideline and safety standards such as those published by the National Fire Protection Association (NFPA) and the American Society for Heating, Refrigeration, and Air Conditioning Engineers (ASHRAE), and the local code authorities.
6. When cutting or drilling into wall or ceiling, do not damage electrical wiring and other hidden utilities.
7. Ducted fans must always be vented to the outdoors.
8. This unit must be grounded.
9. To avoid motor bearing damage and noisy and/or unbalanced impellers, keep drywall spray, construction dust, etc. off power unit.
10. Do not install into a ceiling thermally insulated to a value greater than R-40.
11. NEVER place a switch where it can be reached from a tub or shower.

WARNING: TO REDUCE THE RISK OF FIRE, ELECTRIC SHOCK, DO NOT USE THIS FAN WITH ANY SOLID-STATE SPEED CONTROL DEVICE.

WARNING: DO NOT INSTALL OVER A TUB OR MOUNT IN A SHOWER STALL ENCLOSURE.

WARNING: DO NOT USE IN KITCHENS.

WARNING: THIS UNIT IS DESIGNED AND TESTED TO BE A SUPPLEMENTAL HEATER FOR USE WITH A TIMER OR A SWITCH. IT IS NOT INTENDED TO BE USED AS THE PRIMARY SOURCE OF HEAT AND CONTROLLED BY A THERMOSTAT.

CAUTION: FOR GENERAL VENTILATING USE ONLY. DO NOT USE TO EXHAUST HAZARDOUS OR EXPLOSIVE MATERIALS AND VAPORS.

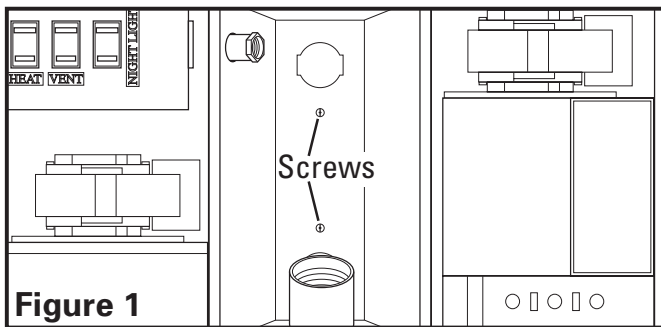
SAVE THESE INSTRUCTIONS

INSTALLATION INSTRUCTIONS

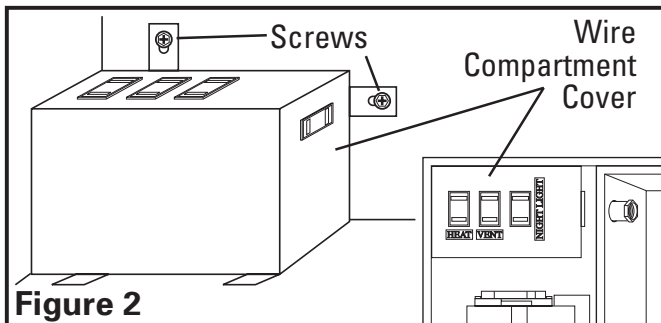
CAUTION: MAKE SURE POWER IS SWITCHED OFF AT SERVICE PANEL BEFORE STARTING INSTALLATION.

SECTION 1 Preparing the Unit

1. Unpack fan from the carton and confirm that all pieces are present. In addition to the unit you should have:
 - 1 - Grill with Light Lens
 - 4 - Mounting Rails
 - 2 - 2 Function Switches
 - 1 - Quad Wall Plate
 - 1 - Instruction/Safety Sheet
2. Remove the two machine screws holding the light reflector in place. Keep the reflector and screws in the carton until needed so they do not get damaged or lost (Figure 1).

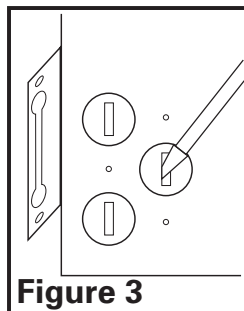


3. Remove the wire compartment cover by loosening the two screws holding the cover in place (Figure 2).



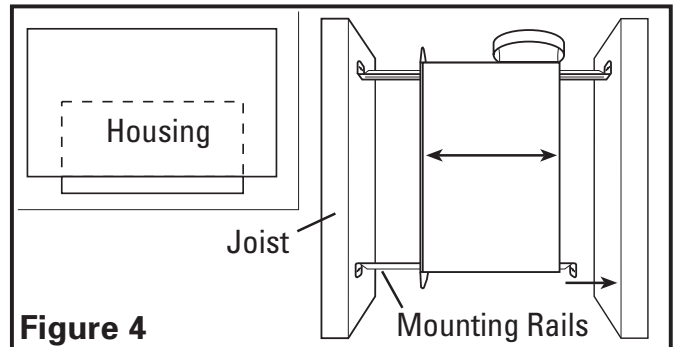
WARNING: DO NOT INSTALL OVER A TUB OR MOUNT IN A SHOWER STALL ENCLOSURE.

4. Choose the location for your unit. To ensure the best air and sound performance, it is recommended that the length of ducting and the number of elbows be kept to a minimum, and that insulated hard ducting be used. Larger duct sizes will reduce noise and airflow restrictions. This fan will require at least 7" of clearance in the ceiling, and will mount through drywall up to 3/4" thick. The fan can be mounted directly to the joist using the mounting tabs on the side of the housing or between 16" on center joists using the 4 provided mounting rails.

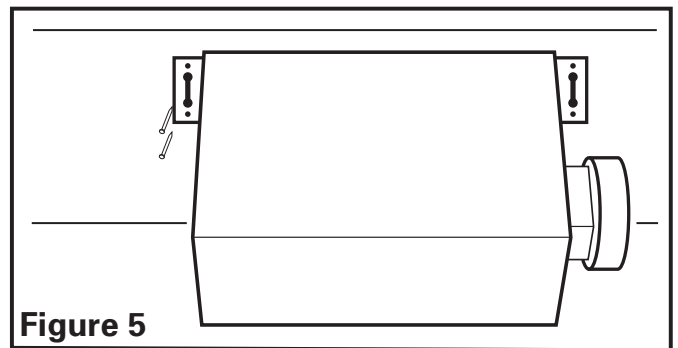


SECTION 2 New Construction

1. **Mounting Rail Installation:** Install the rails on the housing and position the housing next to the joist. Line up housing so it will be flush with the finished ceiling. Secure the ends of the rails with screws or nails (not included) to the joists and slide housing into final position (Figure 4).

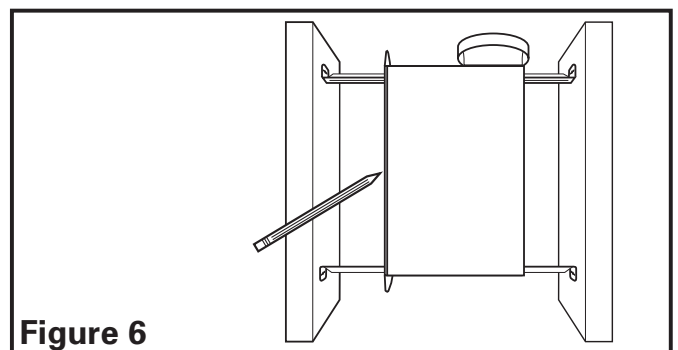


- 1a. **Mounting Tab Installation:** Line up housing so that it will be flush with the finished ceiling. Position the fan so that the tabs rest flat against the joist and secure with screws or nails (not provided) to ensure proper installation (Figure 5).

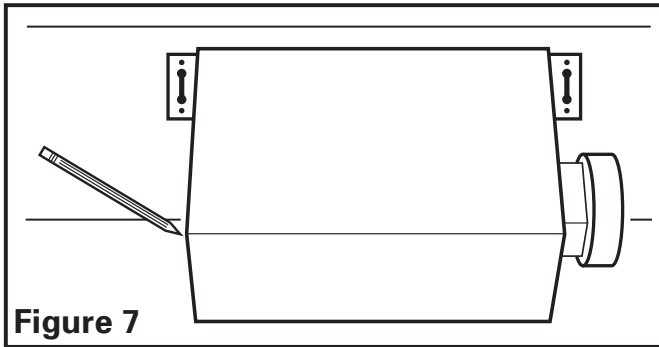


SECTION 3 Existing Construction

1. **Mounting Rail Installation:** Set housing in position between the joist and trace an outline onto the ceiling material (Figure 6). Set housing aside and cut opening, being careful not to cut or damage any electrical or other hidden utilities. Install the rails on the housing and position the housing in the previously cut hole so that it is flush with the finished ceiling. Secure the ends of the rails to the joists with screws or nails (not provided) to ensure proper installation (Figure 4).



- 1a. **Mounting Tab Installation:** Position housing against the joist and trace an outline of the housing onto the ceiling material (**Figure 7**). Set housing aside and cut opening, being careful not to cut or damage any electrical or other hidden utilities. Place housing next to the joist and insure that it is flush with the finished ceiling. Secure with screws or nails (not provided) to the joists (**Figure 5**).

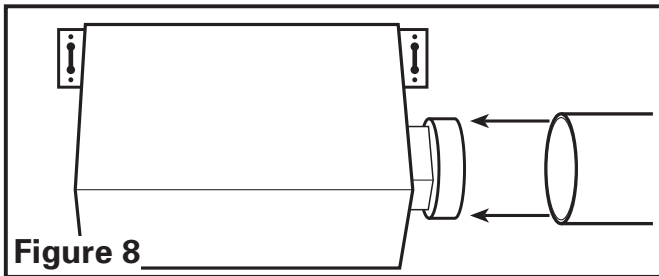


SECTION 4

Ducting

CAUTION: ALL DUCTING MUST COMPLY WITH LOCAL AND NATIONAL BUILDING CODES.

1. Remove any tape that might be holding the damper in place during shipping and connect the ducting to the fan's duct collar (**Figure 8**). Secure in place using tape or screw clamp. Always duct the fan to the outside through a wall or roof cap.



SECTION 5

Wiring

CAUTION: MAKE SURE POWER IS SWITCHED OFF AT SERVICE PANEL BEFORE STARTING INSTALLATION.

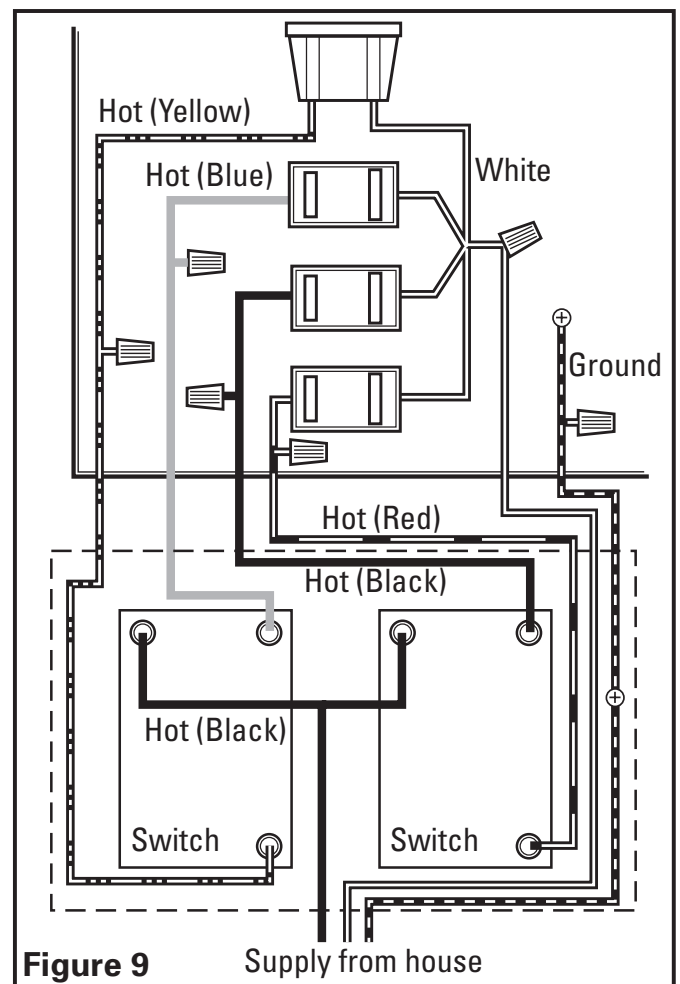
WARNING: THIS UNIT MUST BE WIRED ON A SEPARATE 20 AMP CIRCUIT.

CAUTION: ALL ELECTRICAL CONNECTIONS MUST BE MADE IN ACCORDANCE WITH LOCAL CODES, ORDINANCES, OR NATIONAL ELECTRICAL CODE. IF YOU ARE UNFAMILIAR WITH METHODS OF INSTALLING ELECTRICAL WIRING, SECURE THE SERVICES OF A QUALIFIED ELECTRICIAN.

1. Using wiring carrying the appropriate rating, run a dedicated line on a 20 amp service from the main service panel to an approved wall junction box (not included). Once inside the junction box, split the hot (black) wire from the home and connect one end to each of the switches into the terminal marked "COMMON TERMINAL". Connect the ground (green or bare copper) wire from the home to

the junction box. The neutral (white) wire from the home is not connected to the switch or junction box, but will be run to the unit's wire compartment. Use approved methods for all connections.

2. Run wiring from wall switches carrying the appropriate rating. One neutral (white), one ground (green or bare copper), and four hot (black, red, blue, yellow leads connected to the switch, one for each function). Secure the electrical wires to the housing with an approved electrical connector. Make sure you leave enough wiring in the box to make the connection to the fan's receptacles.
3. Connect the white wire from the house to the four white wires from the fan. Connect one hot (black) wire from the wall switch to the black wire from the fan (this is the fan control). Connect second hot (red) wire from the wall switch to the red wire from the fan (this is the heat control). Connect the third hot (blue) wire from the wall switch to the blue wire from the fan (this is the main light control). Connect the fourth hot (yellow) wire from the wall switch to the yellow wire from the fan (this is the night light control). Connect the ground wire from the house to the green wire from the fan (**Figure 9**). Use approved methods for all connections.



4. Reinstall the wire compartment cover by sliding the tabs at the bottom of the cover into the slots in the housing. Make sure all wires are tucked inside of the compartment and are not being pinched or showing through. Reinstall the two screws removed in **Step 3 of SECTION 1 Preparing the Unit (Figure 10)**.

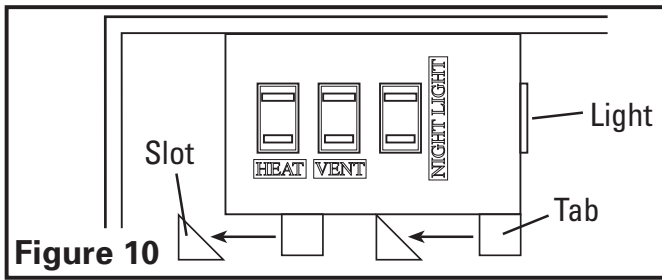


Figure 10

SECTION 6 Completing the Installation

1. Insert the plug from the heating unit into the receptacle marked "HEAT", and the plug from the fan into the receptacle marked "VENT"(Figure 11).

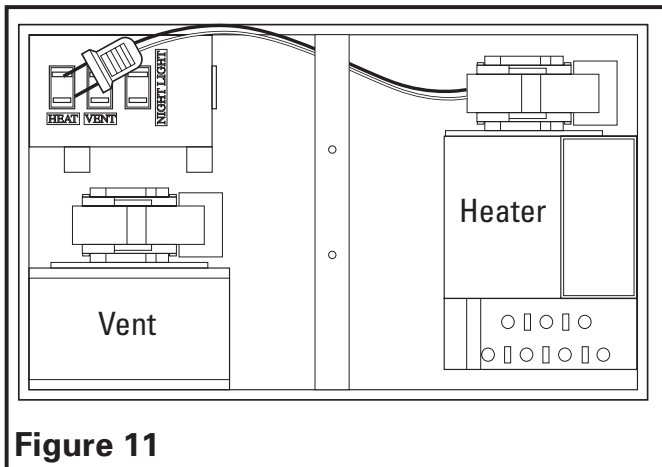


Figure 11

2. Remove grill from carton and open light lens area by pushing in on the two tabs of the light lens and pulling outward from lens. The lens will swing open on the connector bars. DO NOT remove the lens from the grill (Figure 12).

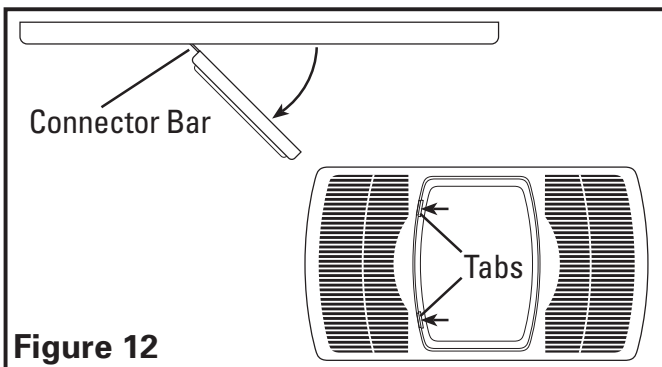


Figure 12

3. Install light reflector into grill by lining up the posts on grill with the holes in light reflector (Figure 13). Raise light reflector and grill up to housing and insert plug from light into receptacle marked "LIGHT" (located on the side of the wire compartment) and insert plug from night light into receptacle marked "NIGHT LIGHT" (Figure 11).

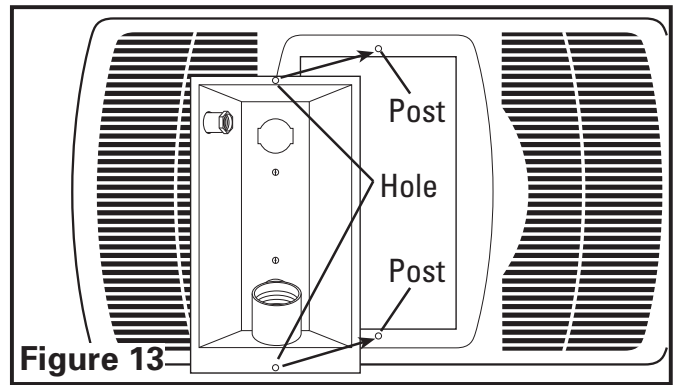


Figure 13

4. Attach light reflector in place with the two screws removed during Step 2 in SECTION 1 Preparing the Unit so grill fits snugly against ceiling (Figure 14).

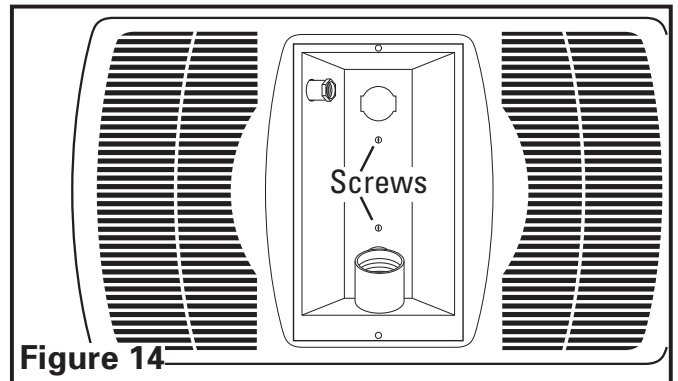


Figure 14

CAUTION: FAILURE TO SECURE THE REFLECTOR SCREWS MAY RESULT IN A RATTLING OR HUMMING NOISE.

5. Install the appropriate bulbs (not included) specific to your model:
AK965L: Install a 100 watt maximum, type A19 medium base incandescent bulb (not included) and a 7 watt maximum type C7 (candelabra base) night light (not included).

WARNING: TO REDUCE THE RISK OF FIRE, USE ONLY TYPE G24-d3, QUAD 2-PIN LAMP, 26 WATT MAXIMUM.

AK965FL: Install a high efficacy 26 watt maximum, 2 pin quad, G24-d3 fluorescent bulb (not included) and a 7 watt maximum type C7 (candelabra base) night light (not included).

6. Close the light lens and secure in place by swinging back into position and snapping the tabs in place (Figure 15).

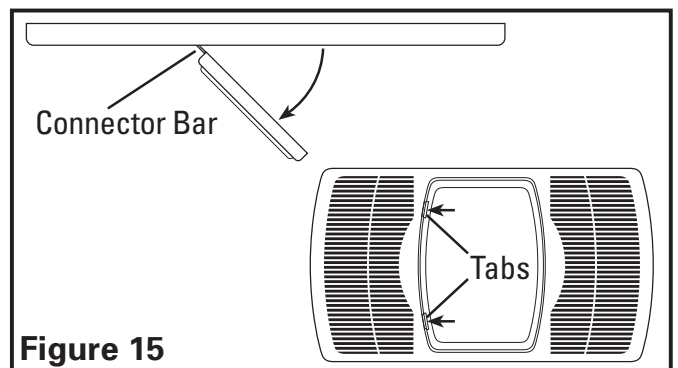


Figure 15

7. Restore power and test your installation.

SECTION 7

Use and Care

CAUTION: MAKE SURE POWER IS SWITCHED OFF AT SERVICE PANEL BEFORE SERVICING THE UNIT.

1. **Cleaning the Grill:** Reverse the instructions in **Section 6 Completing the Installation** to remove grill. Use a mild detergent, such as dishwashing liquid, and dry with a soft cloth. NEVER USE ANY ABRASIVE PADS OR SCOURING POWDERS. Completely dry grill before reinstalling. Refer to instructions in **Section 6 Completing the Installation**, to reinstall grill.
2. **Cleaning the Fan Assembly:** Wipe all parts with a dry cloth or gently vacuum the fan. NEVER IMMERSE ELECTRICAL PARTS IN WATER.

CAUTION: ALLOW BULBS TO COOL BEFORE REPLACING.

3. **Changing the Light Bulb:** Disconnect power to the unit. Open light lens by pushing in on the two tabs of light lens and pulling outward from lens. The lens will swing open on the connector bars. DO NOT remove the lens from the grill (**Figure 16**).

Incandescent Bulb (AK965L): Unscrew bulb from lamp holder and replace with a 100 watt maximum, type A19 medium base incandescent bulb.

WARNING: TO REDUCE THE RISK OF FIRE, USE ONLY TYPE G24-d3, QUAD 2-PIN LAMP, 26 WATT MAXIMUM.

Fluorescent Bulb (AK965FL): Remove bulb by gently rocking bulb back and forth while applying outward pressure to release the bulb from the base. Replace with a High Efficacy 26 watt maximum, 2 pin quad, G24-d3 fluorescent bulb.

Night Light (AK965L, AK965FL): Unscrew night light bulb from socket and replace with a 7 watt maximum type C7 (candelabra base) night light bulb.

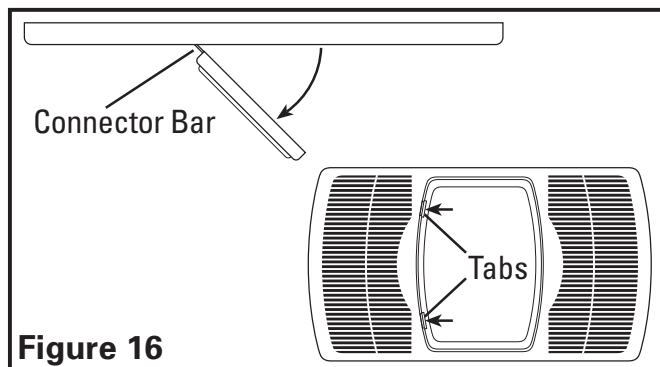


Figure 16

Troubleshooting Guide

Trouble	Probable Cause	Suggested Remedy
1. Fan does not operate when the switch is on.	1a. A fuse may be blown or a circuit tripped. 1b. Connector plug from motor is not plugged in. 1c. Wiring is not connected properly. 1d. Motor has stopped operating.	1a. Replace fuse or reset circuit breaker. 1b. Turn off power to unit. Remove Grill and plug motor into receptacle in housing. Restore power to unit. 1c. Turn off power to unit. Check that all wires are connected. 1d. Replace motor.
2. Fan is operating, but air moves slower than normal.	2. Obstruction in the exhaust ducting.	2. Check for any obstructions in the ducting. The most common are bird nests in the roof cap or wall cap where the fan exhausts to the outside.
3. Fan is operating louder than normal.	3a. Motor is loose. 3b. Fan blade is hitting housing of unit.	3a. Turn off power to unit. Remove grill and check that all screws are fully tightened. Restore power to unit. 3b. Call your dealer for service.

LIMITED WARRANTY

All products manufactured by Air King Limited are warranted for one year from the date of purchase against defects in workmanship and/or material. In addition, all ventilating/exhaust fans, heaters, combination fan lights and/or heaters, and range hoods are guaranteed for five years from the date of purchase against defects in workmanship and/or material.

This warranty does not cover any labor or shipping costs or the cost of replacement components as part of routine maintenance such as: range hood grease filters, charcoal filters or combination charcoal/grease filters; replacement light bulbs in range hoods or bathroom fan/light/bulb heater combinations. As well, any damage or failure caused by abuse, misuse, abnormal usage, faulty installation, or improper maintenance will not be covered by this warranty.

In order to make a claim on this warranty, you must be the original consumer of the product. You will be required to present to Air King the original bill of sale showing: date of purchase, place of purchase and model purchased. Failure to meet these requirements will void your warranty.

Air King will not be held responsible for any bodily injury or damages to personal property or real estate whether caused directly or indirectly by the product. Some states and provinces do not allow the exclusion or limitation of incidental or consequential damages and some states do not allow limitations on how long an implied warranty lasts, so these exclusions or limitations may not apply to you. This warranty gives you specific legal rights and you may have other rights which vary from state to state and province to province.

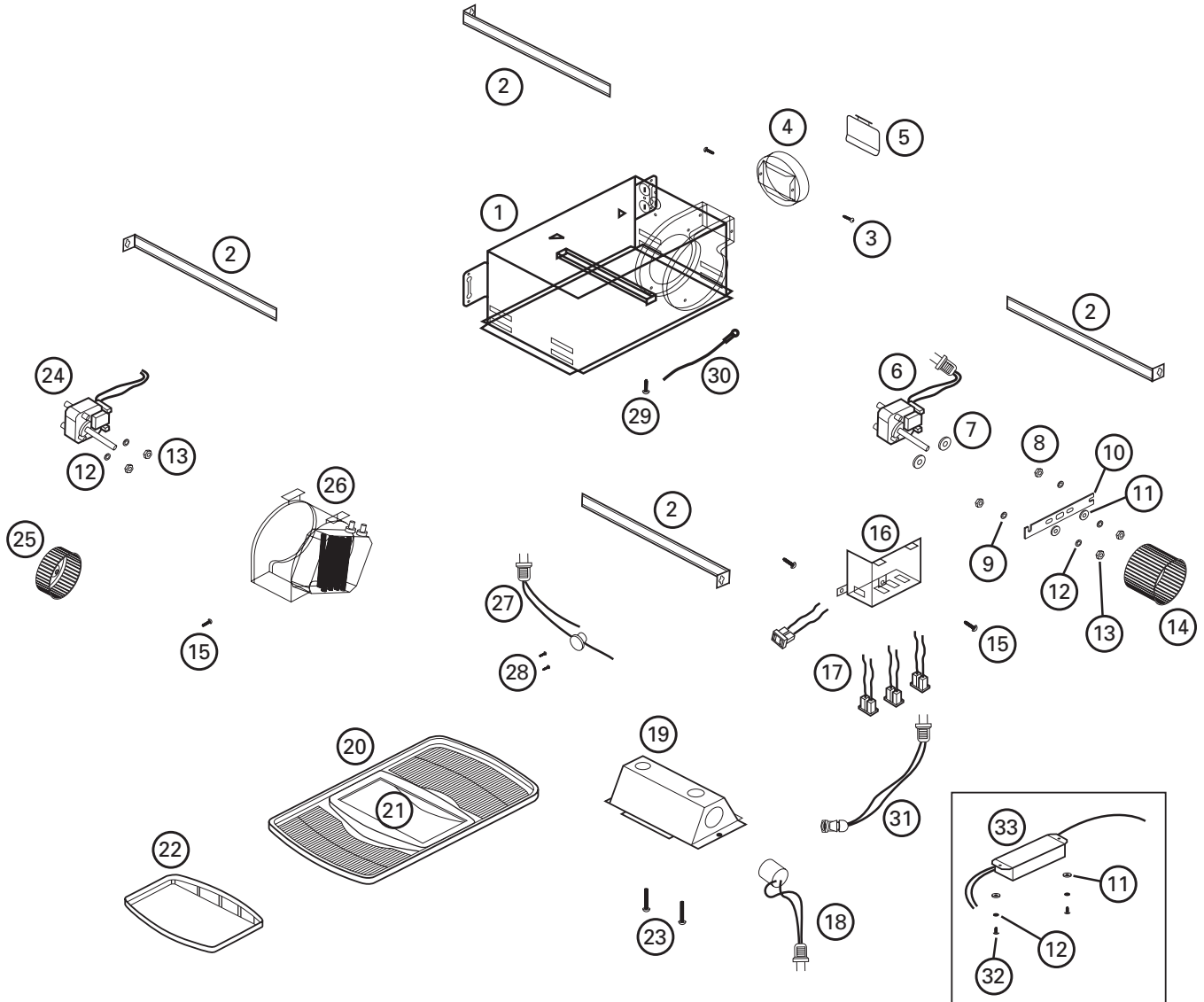
FOR PARTS OR TECHNICAL ASSISTANCE

Please call: 1-800-465-7300, **MONDAY THROUGH FRIDAY, BETWEEN THE HOURS OF 8 AM AND 4:00 PM EST.**
PLEASE DO NOT RETURN PRODUCT TO PLACE OF PURCHASE.

Reference the type and style of product (located on label inside of the product) when you call.

For more information please visit our website: www.airkinglimited.com

REPLACEMENT PARTS DIAGRAM



#	Qty.	Description	Replacement Part #
1	1	Fan Housing	5S3402039
2	4	Mounting Rails	5S1299002
3	2	Collar Screw	5S3402040
4	1	Collar	5S3402041
5	1	Damper	5S3402042
6	1	Motor - Vent	5S3402043
7	2	Motor Spacer	5S3402044
8	2	Motor Bracket Nut	5S3402045
9	2	Lock Washer	5S3402046
10	1	Motor Bracket - Vent	5S3402047
11	2	Washer	5S3402048
12	4	Lock Washer	5S3402049
13	4	Hex Nut	5S3402050
14	1	Vent Blower Wheel	5S3402051
15	3	#8 Screw	5S1999004
16	1	Wire Compartment	5S3402097
17	4	Receptacle	5S3402053

#	Qty.	Description	Replacement Part #
18	1	Lamp Holder - AK965	5S3402054
	1	Lamp Holder - AK965FL	5S3402071
19	1	Reflector	5S3402055
20	1	Grill	5S3402056
21	1	Lens Frame	5S3402057
22	1	Glass Lens	5S3402058
23	2	Reflector Screws	5S3402059
24	1	Motor - Heater	5S3402060
25	1	Heater Blower Wheel	5S3402061
26	1	Blower - Heater	5S3402062
27	1	Heater Plug Assembly	5S3402063
28	2	Over Heat Protector Screw	5S3402064
29	1	#10 Ground Screw	5S1999002
30	1	14 ga Ground Wire	5S1999003
31	1	Lamp Holder - Night Light	5S3402068
32	2	Ballast Screws - AK965FL	5S3402069
33	1	Ballast - AK965FL	5S3402070

Installer: _____

Installation Date: _____

Place of Purchase: _____

Model Number: _____

INSTRUCTIONS IMPORTANTES – MANUEL D'OPÉRATION

Modèles: AK965L, AK965FL



Ventilateur d'Évacuation

LIRE ET CONSERVER CES INSTRUCTIONS

LIRE SOIGNEUSEMENT AVANT DE TENTER D'ASSEMBLER, INSTALLER, OPÉRER OU DE RÉPARER LE PRODUIT DÉCRIT. PROTÉGEZ VOUS-MÊME ET LES AUTRES EN OBSERVANT TOUTE L'INFORMATION DE SÉCURITÉ. FAILLIR À SE CONFORMER AUX INSTRUCTIONS PEUT RÉSULTER EN BLESSURE PERSONNELLE GRAVE ET/OU EN DOMMAGE À LA PROPRIÉTÉ.

CONSERVER CES INSTRUCTIONS POUR RÉFÉRENCES FUTURES.

INSTRUCTIONS GÉNÉRALES DE SÉCURITÉ

Lors de l'utilisation d'appareils électriques, des précautions de base doivent toujours être suivies pour réduire les risques d'incendie, de choc électrique et de blessures corporelles, incluant ce qui suit:

1. Bien lire toutes les instructions avant d'installer ou d'utiliser le ventilateur d'évacuation.
2. Utiliser cette unité seulement de la manière pour laquelle le fabricant l'a conçu. Si vous aviez des questions, veuillez contacter le fabricant.
3. Avant d'effectuer un service ou de nettoyer l'unité, couper l'alimentation électrique dans le panneau de distribution et verrouiller le dispositif de déconnexion afin d'éviter que l'alimentation ne revienne accidentellement. Lorsque le dispositif ne peut être verrouillé, fixer solidement un avis d'avertissement, tel qu'une étiquette, au panneau de distribution.
4. Le travail d'installation et le câblage électrique doivent être effectués par une(des) personne(s) qualifiée(s) en conformité avec tous les codes et normes applicables, incluant la construction relative aux incendies.
5. De l'air en quantité suffisante est requis pour la bonne combustion et l'évacuation de gaz par le conduit (cheminée) provenant d'équipement de brûlage au combustible pour prévenir un refoulement. Suivre les directives du fabricant de l'équipement de chauffage et les normes de sécurité telles que celles publiées par la National Fire Protection Association (NFPA) et de la American Society for Heating, Refrigeration, and Air Conditioning Engineers (ASHRAE), et de celles des autorités locales du code.
6. Lors de coupe ou de perçage des murs et plafonds, ne pas endommager le filage électrique et autres utilités cachées.
7. Les ventilateurs avec conduits doivent toujours être évacués vers l'extérieur.
8. Cette unité doit être mise à la terre.
9. Pour éviter des dommages aux roulements des moteurs et/ou des hélices bruyantes ou déséquilibrées, empêcher la poussière de cloison sèche, poussière de construction, etc., d'atteindre l'unité de puissance.

AVERTISSEMENT: POUR RÉDUIRE LES RISQUES D'INCENDIE OU DE CHOC ÉLECTRIQUE, NE PAS UTILISER CE VENTILATEUR AVEC UN RÉGULATEUR DE VITESSE ÉLECTRONIQUE.

AVERTISSEMENT: NE PAS INSTALLER AU-DESSUS D'UNE BAIGNOIRE NI AU-DESSUS D'UNE CABINE DE DOUCHE.

10. Ne pas installer dans un plafond muni d'isolation thermique d'une valeur supérieure à R-40.

11. **NE JAMAIS** placer un interrupteur à un endroit qui puisse être atteint de la baignoire ou de la douche.

AVERTISSEMENT: NE PAS UTILISER DANS LES CUISINES

AVERTISSEMENT: CETTE UNITÉ EST CONÇUE ET TESTÉE POUR N'ÊTRE QUE SOURCE ADDITIONNELLE DE CHAUFFAGE POUR UTILISATION AVEC UNE MINUTERIE OU UN INTERRUPTEUR. ELLE N'EST PAS CONÇUE POUR ÊTRE UTILISÉE COMME SOURCE PRINCIPALE DE CHAUFFAGE CONTRÔLÉE PAR THERMOSTAT.

AVERTISSEMENT: POUR USAGE DE VENTILATION GÉNÉRALE EXCLUSIVEMENT. NE PAS UTILISER POUR ÉVACUER DU MATÉRIEL ET DES VAPEURS DANGEREUSES OU EXPLOSIVES.

CONSERVER CES INSTRUCTIONS

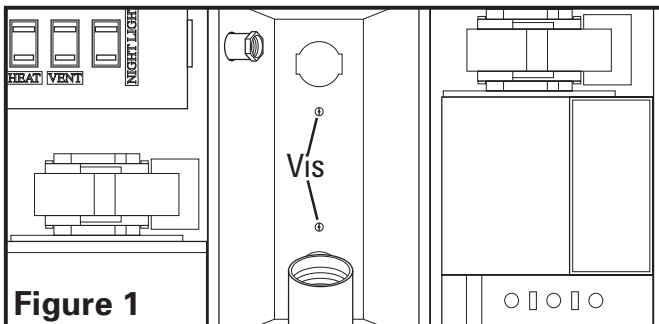
INSTRUCTIONS D'INSTALLATION

AVERTISSEMENT: VOUS ASSURER QUE L'ALIMENTATION EST COUPÉE AU PANNEAU DE SERVICE AVANT DE COMMENCER L'INSTALLATION.

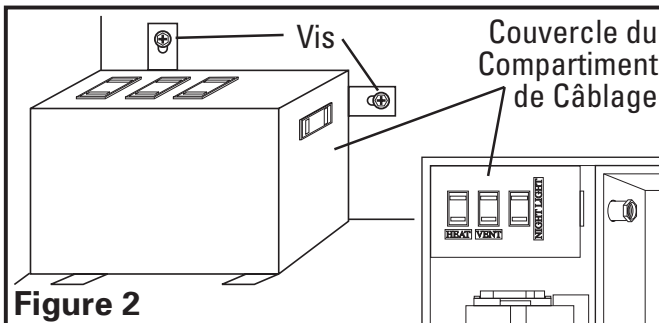
SECTION 1

Préparation du Ventilateur d'évacuation

- Sortir le ventilateur de sa boîte et confirmer que toutes les pièces sont présentes. En plus du ventilateur d'évacuation vous devriez avoir:
 - 1 - Grille avec les Lentilles de l'éclairage
 - 4 - Traverses de Montage
 - 2 - Commutateurs à 2 fonctions
 - 1 - Plaque murale quadruple
 - 1 - Feuillet d'instructions / sécurité
- Enlever les deux vis à métaux retenant le réflecteur en place. Conserver le réflecteur et les vis dans la boîte jusqu'au besoin pour éviter qu'ils soient perdus ou endommagés (Figure 1).

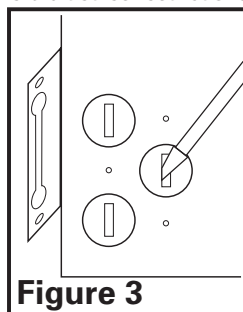


- Enlever le couvercle du compartiment de câblage fini en desserrant les deux vis qui tiennent le couvercle en place (Figure 2).



AVERTISSEMENT: NE PAS INSTALLER AU-DESSUS D'UNE BAIGNOIRE NI AU-DESSUS D'UNE CABINE DE DOUCHE.

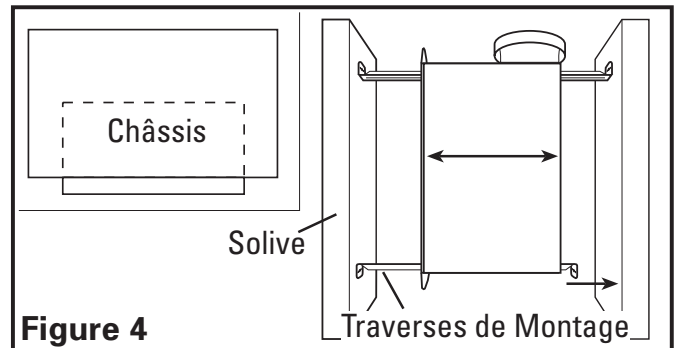
- Choisissez l'emplacement pour votre unité. Pour assurer la meilleure performance du débit d'air et sonore, il est recommandé que la longueur des conduits et que le nombre de coudes soient gardés au minimum et que des conduits rigides isolés soient utilisés. Des plus grands formats de conduits réduiront le bruit et les restrictions au débit d'air. Ce ventilateur nécessite au moins 17,78 cm (7 po) de dégagement du mur ou du plafond, et peut s'installer au travers de cloisons sèches d'épaisseur de 1,9 cm (3/4 po). Le ventilateur peut être monté directement sur la solive à l'aide des onglets de montage ou entre les 40,6cm (16po) au centre des solives en utilisant les 4 traverses de montages fournies.
- Enlever l'alvéole défonçable à l'aide d'un tournevis plat (Figure 3).



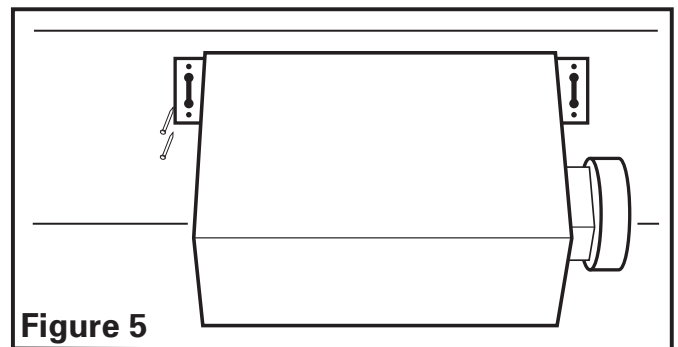
SECTION 2

Nouvelle Construction

- Installation des Traverses de Montage:** Installer les traverses sur le châssis et positionner le châssis près de la solive. Aligner le châssis pour qu'il soit à effleurement avec le plafond fini. Fixer les extrémités des traverses avec des clous ou des vis (non-comprises) aux solives et glisser le châssis à sa position finale (Figure 4).



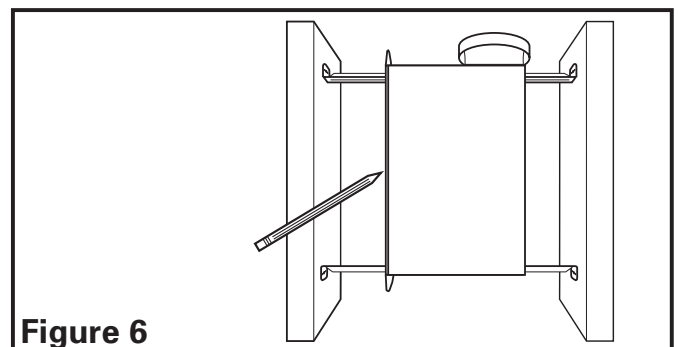
- Installation des Onglets de montage:** Aligner le châssis pour qu'il soit à effleurement avec le plafond fini. Positionner le ventilateur pour que les onglets reposent à plat contre la solive et fixer en place à l'aide de quatre (4) clous (non-compris) pour assurer une bonne installation (Figure 5).



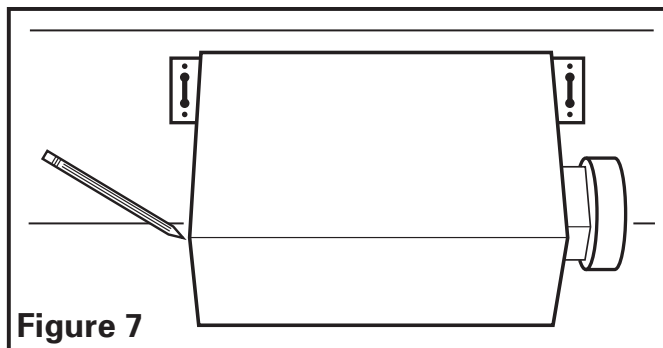
SECTION 3

Construction Existante

- Installation des Traverses de Montage:** placer le châssis en position entre les solives et tracer un contour sur le matériau du plafond (Figure 6). Mettre le châssis de côté et découper l'ouverture, en prenant soin de ne pas couper ou endommager des câbles électriques dissimulés ou autres utilités. Installer les traverses sur le châssis et positionner le châssis dans le trou percé précédemment afin qu'il soit à effleurement avec le plafond fini. Fixer les extrémités des traverses aux solives (Figure 4).



- 1a. **Installation des onglets de montage:** Positionner le châssis contre la solive et tracer un contour du châssis sur le matériau du plafond (**Figure 7**). Mettre le châssis de côté et découper l'ouverture, en prenant soin de ne pas couper de câble électrique dissimulé ou autre utilité. Placer le châssis près de la solive et vous assurer qu'il soit à effleurement avec le plafond fini. Fixer avec quatre (4) clous (non-compris) pour assurer une installation adéquate (**Figure 5**).

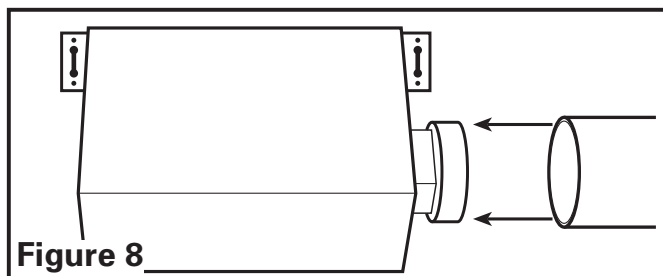


SECTION 4

Conduits

AVERTISSEMENT: TOUS LES CONDUITS DOIVENT ÊTRE CONFORMES AUX CODES DU BÂTIMENT LOCAUX ET NATIONAUX.

1. Enlever tout ruban adhésif qui pourrait retenir le clapet en place durant le transport et raccorder les conduits au collet du conduit du ventilateur (**Figure 8**). Fixer en place à l'aide de ruban ou de serre-joint. Toujours évacuer le ventilateur vers l'extérieur au travers de chapeau mural ou de toit.



SECTION 5

Câblage

AVERTISSEMENT: VOUS ASSURER QUE L'ALIMENTATION EST COUPÉE AU PANNEAU DE SERVICE AVANT DE COMMENCER L'INSTALLATION.

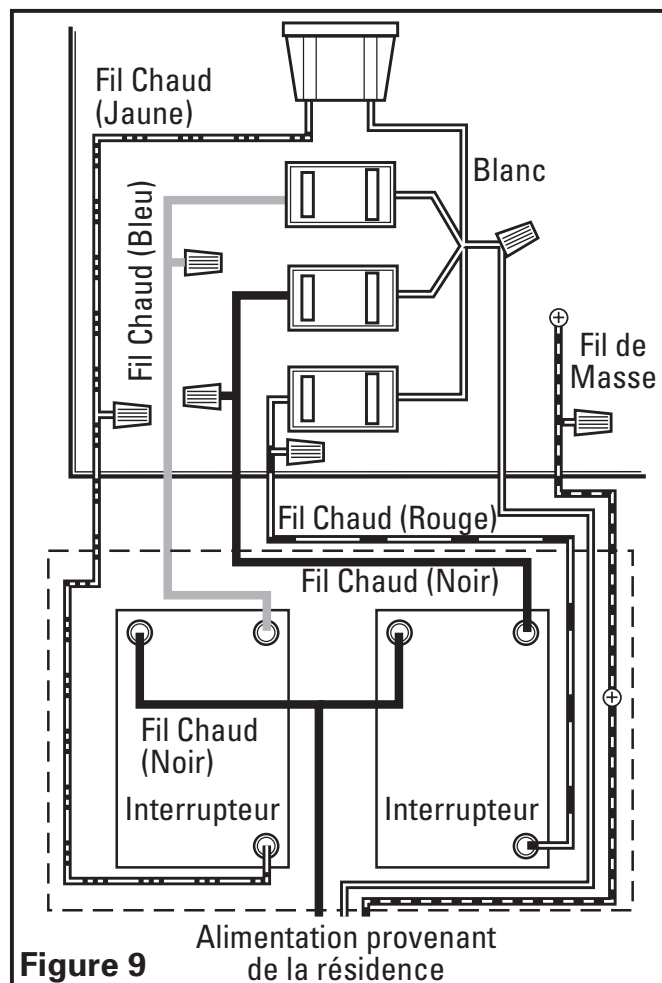
AVERTISSEMENT: CETTE UNITÉ DOIT ÊTRE CONNECTÉE SUR UN CIRCUIT SÉPARÉ D'UNE CAPACITÉ DE 20 AMPÈRES.

AVERTISSEMENT: TOUTES LES CONNEXIONS DOIVENT ÊTRE FAITES EN CONFORMITÉ AVEC LES CODES ÉLECTRIQUES LOCAUX OU NATIONAUX. SI VOUS N'ÊTES PAS FAMILIER AVEC LES MÉTHODES D'INSTALLATION DE CÂBLAGE ÉLECTRIQUE, RECOURREZ AUX SERVICES D'UN ÉLECTRICIEN QUALIFIÉ.

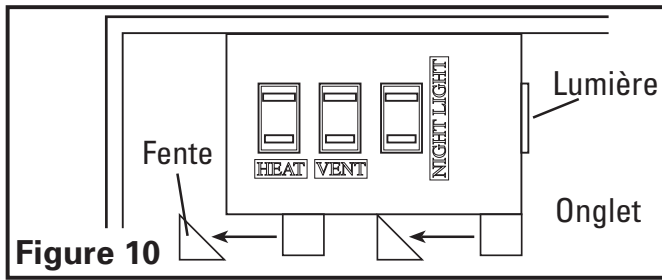
1. En utilisant du câblage de capacité appropriée, courir une ligne dédiée d'un service de 20 ampères provenant du panneau de service principal vers une boîte de jonction approuvée (non-comprise). Une fois à l'extérieur de la boîte de jonction, diviser le fil vivant (noir) de la résidence et en connecter une extrémité à chacun des interrupteurs dans le terminal marqué « TERMINAL COMMUN (COMMON TERMINAL) ». Connecter le fil de mise à la

terre (vert ou cuivre nu) de la résidence à la boîte de jonction. Le fil de neutre (blanc) de la résidence n'est pas connecté à l'interrupteur ou à la boîte de jonction, mais il sera couru vers le compartiment de câblage de l'unité. Utiliser des méthodes de raccordement approuvées pour toutes les connexions.

2. Courir du câblage des interrupteurs muraux ayant la capacité appropriée. Un neutre (blanc), un fil de mise à la terre (vert ou cuivre nu), et quatre vivants (fils noir, rouge, bleu, jaune connectés à l'interrupteur, un pour chaque fonction). Fixer les fils électriques au châssis avec un connecteur électrique approuvé. Assurez-vous de laisser suffisamment de fil dans la boîte pour pouvoir faire les raccords aux réceptacles du ventilateur.
3. Connecter le fil blanc de la résidence vers les quatre fils blanc du ventilateur. Connecter un fil vivant (noir) de l'interrupteur mural vers le fil noir du ventilateur (celui-ci pour le contrôle du ventilateur). Connecter le second fil vivant (rouge) de l'interrupteur mural vers le fil rouge du ventilateur (celui-ci pour le contrôle du chauffage). Connecter le troisième fil vivant (bleu) de l'interrupteur mural vers le fil bleu du ventilateur (celui-ci pour le contrôle de la lampe principale). Connecter le quatrième fil vivant (jaune) de l'interrupteur mural au fil jaune de l'interrupteur mural au fil jaune de ventilateur (contrôle de la lampe de nuit). Connecter le fil de mise à la terre de la résidence au fil vert du ventilateur (**Figure 9**). Utiliser des méthodes approuvées pour toutes les connexions.



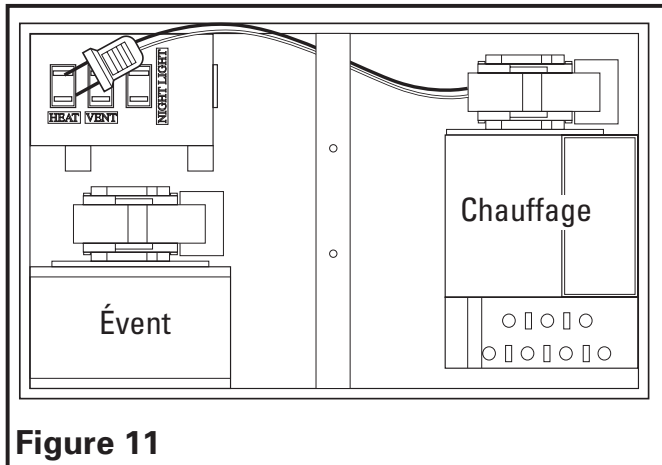
4. Réinstaller le compartiment de câblage en glissant les onglets au bas du couvercle dans les fentes dans le châssis. Assurez-vous que tous les fils sont attachés à l'intérieur du compartiment de câblage et qu'ils ne sont pas coincés ou dénudés. Réinstaller les deux vis enlevées à l'étape 3 de la **SECTION 1 Préparation de l'unité (Figure 10)**.



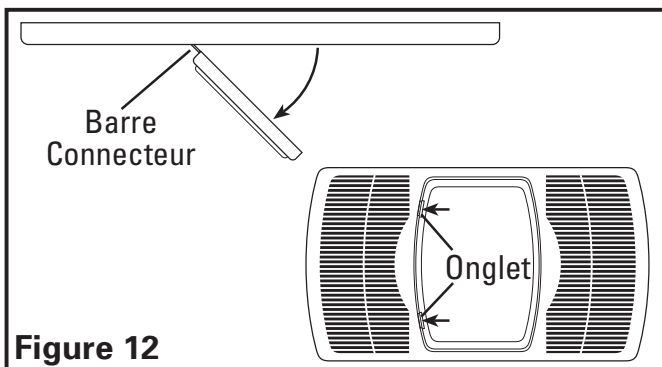
SECTION 6

Complétion de l'installation

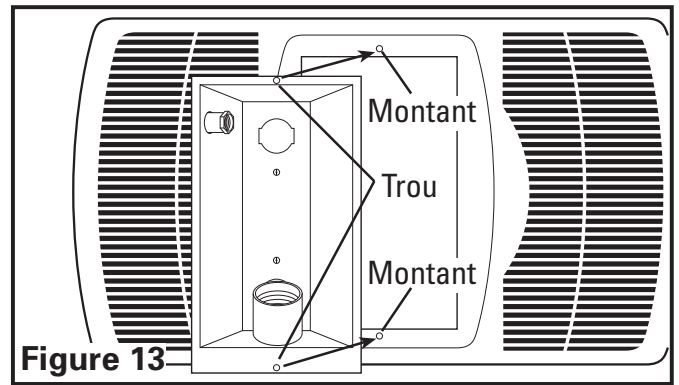
1. Insérer la fiche provenant de l'unité de chauffage dans le réceptacle marqué « CHAUFFAGE (HEAT) », et la fiche venant du ventilateur dans le réceptacle marqué « VENT » (Figure 11).



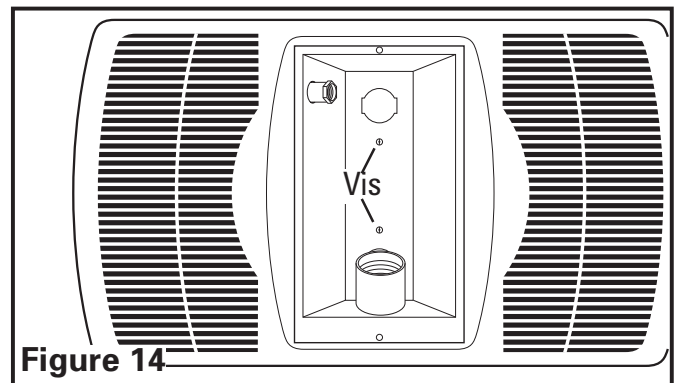
2. Enlever la grille de la boîte et ouvrir la section lentilles de lampe en poussant sur les deux onglets des lentilles de lampe et en tirant vers l'extérieur des lentilles. Les lentilles basculeront en position ouverte sur les barres connecteurs. NE PAS enlever les lentilles de la grille (Figure 12).



3. Installer le réflecteur de lumière dans la grille en alignant les montants sur la grille avec les trous dans le réflecteur de lumière (Figure 13). Soulever le réflecteur de lumière et la grille jusqu'au châssis et insérer la fiche de la lumière dans le réceptacle marqué « LUMIÈRE (LIGHT) » (situé sur le côté du compartiment de câblage) et insérer la fiche de la lampe de nuit dans le réceptacle marqué « LAMPE DE NUIT (NIGHT LIGHT) » (Figure 11).



4. Attacher le réflecteur de lumière en place avec les deux vis enlevées durant l'Étape 2 de la SECTION 1 Préparation de l'unité, de sorte que la grille s'ajuste solidement contre le plafond (Figure 14).



AVERTISSEMENT: UN MANQUEMENT À BIEN SERRER LES VIS DU RÉFLECTEUR PEUT RÉSULTER EN UN BRUIT DE CRÉCELLEMENT OU DE GRONDEMENT.

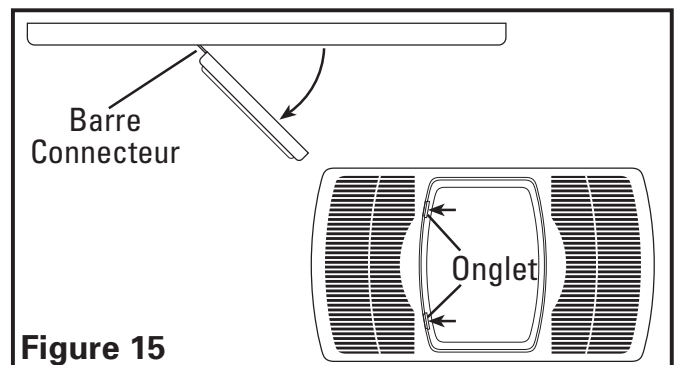
5. Installer les ampoules appropriées (non-comprises) spécifiques à votre modèle:

AK965L: Installer une ampoule incandescente à culot moyen de type A19 de 100 watts au maximum (non-comprise) et une ampoule d'un maximum de 7 watts (culot de type candélabre) lampe de nuit (non-comprise).

AVERTISSEMENT: POUR RÉDUIRE LE RISQUE D'INCENDIE, UTILISER UNIQUEMENT UNE LAMPE DE TYPE G24-d3, QUAD À 2 TIGES, D'UN MAXIMUM DE 26 WATTS.

AK965FL: Installer une ampoule fluorescente G24-d3 à haute efficacité de 26 watts maximum, quad à 2 tiges (non-comprise) et une ampoule de type C7 d'un maximum de 7 watts (culot candélabre) lampe de nuit (non-comprise).

6. Fermer les lentilles de lumière et fixer en place en les basculant en position et en pressant les onglets en place (Figure 15).



7. Restaurer l'alimentation et tester votre installation.

SECTION 7

Utilisation et entretien

AVERTISSEMENT: VOUS ASSURER QUE L'ALIMENTATION EST COUPÉE AU PANNEAU DE SERVICE AVANT DE COMMENCER L'INSTALLATION.

- Nettoyage de la grille:** Inverser les instructions dans la **Section 6 Compléter l'installation**, pour enlever la grille. Utiliser un détergent doux, tel que du liquide à vaisselle, puis sécher avec un chiffon doux. **NE JAMAIS UTILISER DE POUDRE ABRASIVE OU DE TAMPON À RÉCURER.** Sécher complètement la grille avant de la réinstaller. Référez-vous à la **Section 6 Compléter l'installation**, pour réinstaller la grille.
- Nettoyage de l'assemblage du ventilateur:** Nettoyer toutes les pièces avec un chiffon sec ou passer délicatement l'aspirateur dans le ventilateur. **NE JAMAIS IMMERGER DES PIÈCES ÉLECTRIQUES DANS L'EAU.**

AVERTISSEMENT: PERMETTRE À L'AMPOULE DE SE REFROIDIR AVANT DE LA REPLACER

- Remplacement de l'ampoule:** Débrancher l'alimentation de l'unité. Ouvrir les lentilles de lumière en poussant sur les deux onglets et en la tirant vers l'extérieur des lentilles. Les lentilles basculeront en position ouverte sur les barres connecteurs. **NE PAS** enlever les lentilles de la grille (**Figure 16**).

Ampoule Incandescente (AK965L): Dévisser le globe du socle de lampe et le remplacer avec une ampoule incandescente d'un maximum de 100 watts, de type A19 à culot moyen.

AVERTISSEMENT: POUR RÉDUIRE LE RISQUE D'INCENDIE, UTILISER UNIQUEMENT UNE LAMPE DE TYPE G24-d3, QUAD À 2 TIGES, D'UN MAXIMUM DE 26 WATTS.

Ampoule Fluorescente (AK965FL): Enlever l'ampoule en balançant vers l'avant et l'arrière tout en appliquant une pression externe pour dégager l'ampoule du socle. Remplacer l'ampoule avec une ampoule fluorescente d'un maximum de 26 watts, quad à 2 tiges de type G24-d3.

Lumière de Nuit (AK965, AK965FL): Dévisser l'ampoule de lumière de nuit de son socle et la remplacer avec une ampoule de lumière de nuit de type C7 d'un maximum de 7 watts (culot de type candélabre).

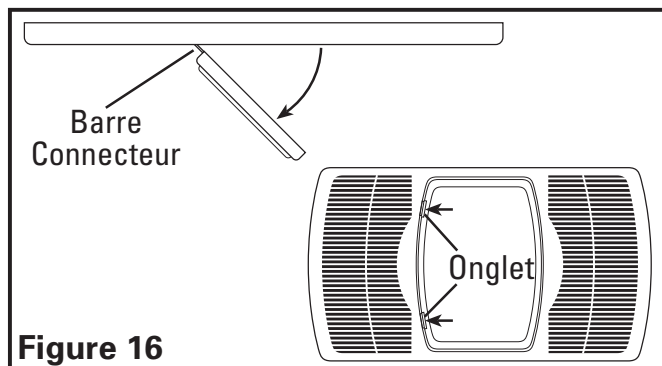


Figure 16

Guide de dépannage

Trouble	Cause Possible	Solution Suggérée
1. Le ventilateur ne fonctionne pas lorsque l'interrupteur est à la position en marche.	1a. Un fusible peut être grillé ou un disjoncteur peut être déclenché. 1b. La fiche de raccord du moteur n'est pas connectée. 1c. Le câblage n'est pas raccordé correctement. 1d. Le moteur est terminée	1a. Remplacer le fusible ou réinitialiser le disjoncteur. 1b. Couper l'alimentation à l'unité. Retirer la grille et brancher le moteur dans le réceptacle dans le cabinet. Remettre l'alimentation sur l'unité. 1c. Couper l'alimentation de l'unité. Vérifier que tous les fils sont raccordés. 1d. Remplacez la moteur
2. Le ventilateur fonctionne, mais l'air circule plus lentement que la normale.	2. Obstruction dans les conduits d'évacuation.	2. Vérifier pour toute obstruction dans les conduits. Les plus courantes sont des nids d'oiseau dans le chapeau de toit ou mural là où le ventilateur s'évacue vers l'extérieur.
3. Le ventilateur fonctionne de manière plus bruyante que la normale.	3a. Le moteur est lâche. 3b. L'hélice du ventilateur frotte contre le cabinet de l'unité.	3a. Couper l'alimentation à l'unité. Retirer la grille et vérifier que toutes les vis sont complètement serrées. Remettre l'alimentation sur l'unité. 3b. Appeler votre marchand pour un service.

GARANTIE LIMITÉE

Tous les produits fabriqués par Air King Limited sont garantis pour un an à partir de la date d'achat contre les défauts de main d'œuvre et/ou de matériel. De plus, tous les ventilateurs / évacuateurs, chaufferettes, combinés ventilateur/ lumière et/ou les chaufferettes et les hottes de cuisine sont garantis pour cinq années à partir de la date d'achat contre les défauts de main d'œuvre et/ou de matériel.

Cette garantie ne couvre pas de coûts de transport ou de main d'œuvre ou le coût de remplacement de composants faisant partie d'entretien de routine tels que : Filtres à graisse des hottes de cuisine, filtres au charbon ou combiné filtre à graisse/ charbon ; ampoules électriques de remplacement dans les hottes de cuisine ou les combinés ventilateur/ lumière/ chaufferette pour salle de bain. Aussi, tout dommage ou défaillance causé par un abus, une mauvaise utilisation, une installation fautive ou un entretien incorrect ne sera pas couvert par cette garantie.

De manière à effectuer une réclamation sous cette garantie, vous devez être l'acheteur original du produit. Il vous sera exigé de présenter la facture d'achat originale à Air King, qui démontrera : La date d'achat, l'endroit de l'achat et le modèle acheté. Le manquement à rencontrer ces exigences annulera votre garantie.

Air King ne sera pas tenu responsable de quelque blessure corporelle ou dommage à la propriété ou à l'immeuble que ce soit causé directement ou indirectement par le produit. Certains États ne permettent pas de limitation sur la durée de la garantie implicite, ou l'exclusion ou la limitation de dommages indirects ou accessoires, ainsi, ces limitations et exclusions peuvent ne pas s'appliquer à vous. Cette garantie vous donne des droits légaux spécifiques et vous pouvez aussi avoir des droits qui varient d'un État à l'autre et d'une province à l'autre.

POUR DES PIÈCES OU DE L'ASSISTANCE TECHNIQUE

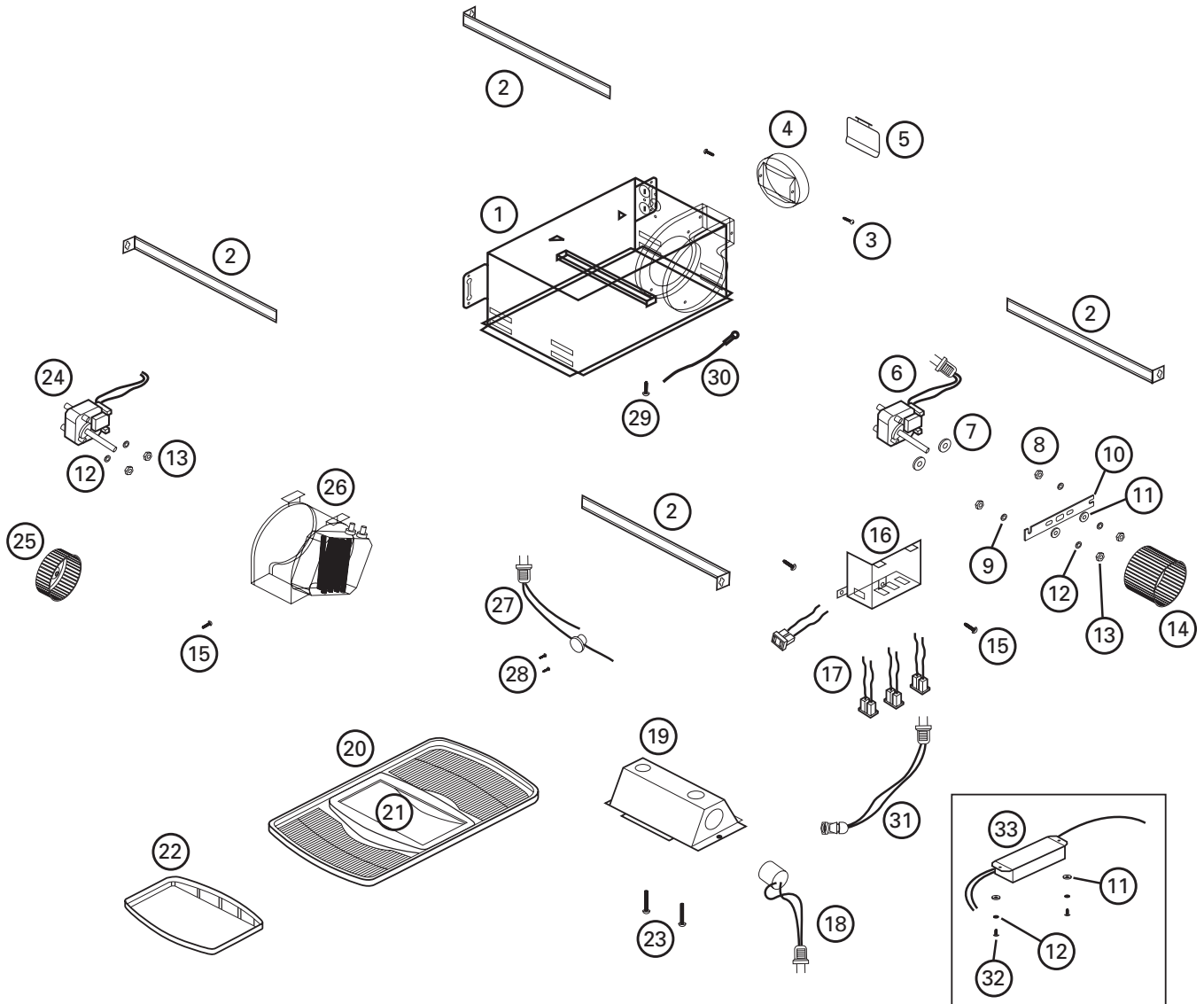
Veillez appeler au 1-800-465-7300, **DU LUNDI AU VENDREDI ENTRE 8:00 HRE ET 16:00 HRE HNE.**

VEUILLEZ NE PAS RETOURNER CE PRODUIT À L'ENDROIT DE L'ACHAT D'ORIGINE.

Référencer le type et le style du produit (localisé sur l'étiquette à l'intérieur du produit) lorsque vous appelez.

Pour plus d'information, veuillez visiter le site Web de Air King au www.airkinglimited.com

DIAGRAMME DES PIÈCES DE REMPLACEMENT



#	Qté.	Description	# de pièce de remplacement
1	1	Cabinet du ventilateur	5S3402039
2	4	Traverses de Montage	5S1299002
3	2	Vis à Collet	5S3402040
4	1	Collet	5S3402041
5	1	Clapet	5S3402042
6	1	Moteur - Évent	5S3402043
7	2	Espaceur du moteur	5S3402044
8	2	Écrou de support de moteur	5S3402045
9	2	Rondelle de Sécurité	5S3402046
10	1	Support de moteur - Évent	5S3402047
11	2	Rondelle	5S3402048
12	4	Rondelle de Sécurité	5S3402049
13	4	Écrou hexagonal	5S3402050
14	1	Roue de la soufflante de l'évent	5S3402051
15	3	Vis #8	5S1999004
16	1	Wire Compartment	5S3402097
17	4	Réceptacle	5S3402053

#	Qté.	Description	# de pièce de remplacement
18	1	Support de la Lumière - AK965	5S3402054
	1	Support de la Lumière - AK965FL	5S3402071
19	1	Réflecteur	5S3402055
20	1	Grille	5S3402056
21	1	Châssis de lentilles	5S3402057
22	1	Lentilles de Verre	5S3402058
23	2	Vis du réflecteur	5S3402059
24	1	Moteur - Chauffage	5S3402060
25	1	Roue de la soufflante du chauffage	5S3402061
26	1	Soufflante - Chauffage	5S3402062
27	1	Assemblage de la fiche du chauffage	5S3402063
28	2	Vis de protection contre la surchauffe	5S3402064
29	1	Vis #10 de mise à la terre	5S1999002
30	1	Fil de mise à la terre de calibre #14	5S1999003
31	1	Support de la Lumière - Lampe de nuit	5S3402068
32	2	Vis du ballast - AK965FL	5S3402069
33	1	Ballast - AK965FL	5S3402070

Installateur: _____

Date d'installation: _____

Endroit de l'achat: _____

Numéro de modèle: _____